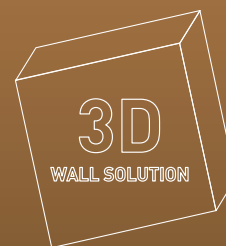


BOUTIQUE
& CONTRACT

BY V-LINE



3D DECORATIVE PANEL



3-Slat Decorative 3D Panel

Discover the magic of our 3-slat decorative 3D panels!

Transform your spaces into authentic works of art with our 3D decorative panels. With their cutting-edge design and stunning depth, these panels are the perfect choice to add a touch of sophistication and style to any environment.

Our panels are crafted with high-quality materials and state-of-the-art technology, ensuring their durability and resistance. Each panel is a unique piece, carefully designed and crafted to create a striking visual experience.

With a wide range of designs and textures, our 3D decorative panels adapt to any decorating style, from modern and minimalist to classic and elegant. Whether you want to enhance a wall in your living room, bring your bedroom to life, or add a special touch to your workspace, our panels are the perfect choice.

The installation of our panels is quick and easy, with no need for complicated construction work. Furthermore, their low maintenance makes them the ideal option for those seeking beauty and practicality in a single product.

Explore our collection of 3D decorative panels and let your creativity flow. Turn any wall into a blank canvas ready to be transformed into a three-dimensional work of art. Elevate the design level of your spaces and enjoy a unique visual experience.

3D decorative panels are the perfect choice for those looking to breathe life and personality into their spaces!

Format

Size: 122 x 1200 mm

Thickness: 12mm

Colors

The color selection reflects the latest interior decoration trends.



Roble Nordik

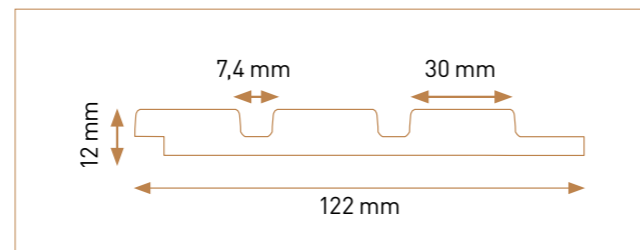


Nogal

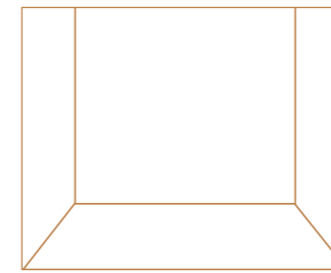
Composition

The 3D decorative panels are composed of a Polystyrene panel, coated with a PET film.

PET is a transparent material that is durable and impact-resistant, making it ideal for protecting the polystyrene panels. It helps maintain the quality and aesthetic appearance of the decorative panels over time.

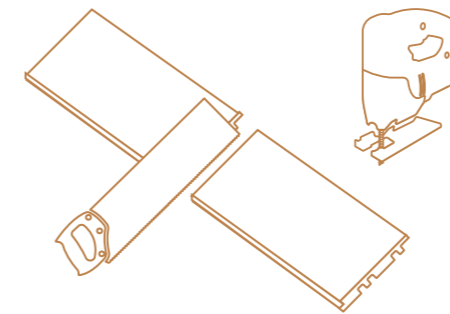


Installation



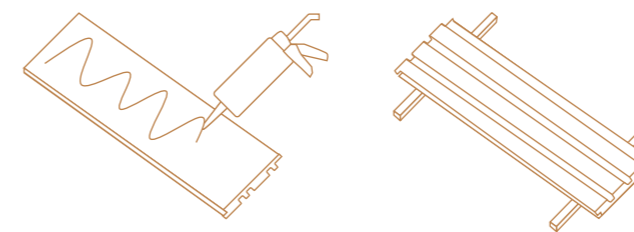
STEP 1

Install the panels on smooth, clean and stable walls of any material.



STEP 2

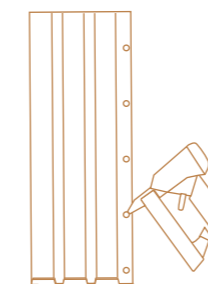
Use a hand saw or jigsaw or circular saw to cut the panels when necessary.



STEP 3

Apply adhesive to the back of the panel, position it in place and fix it to the wall.

You can use wooden battens as support for the panels as an option.



STEP 4

Wall panel can be installed in both horizontal and vertical direction. Apply air tacker on the edge of the tongue to hide the pin-marks.

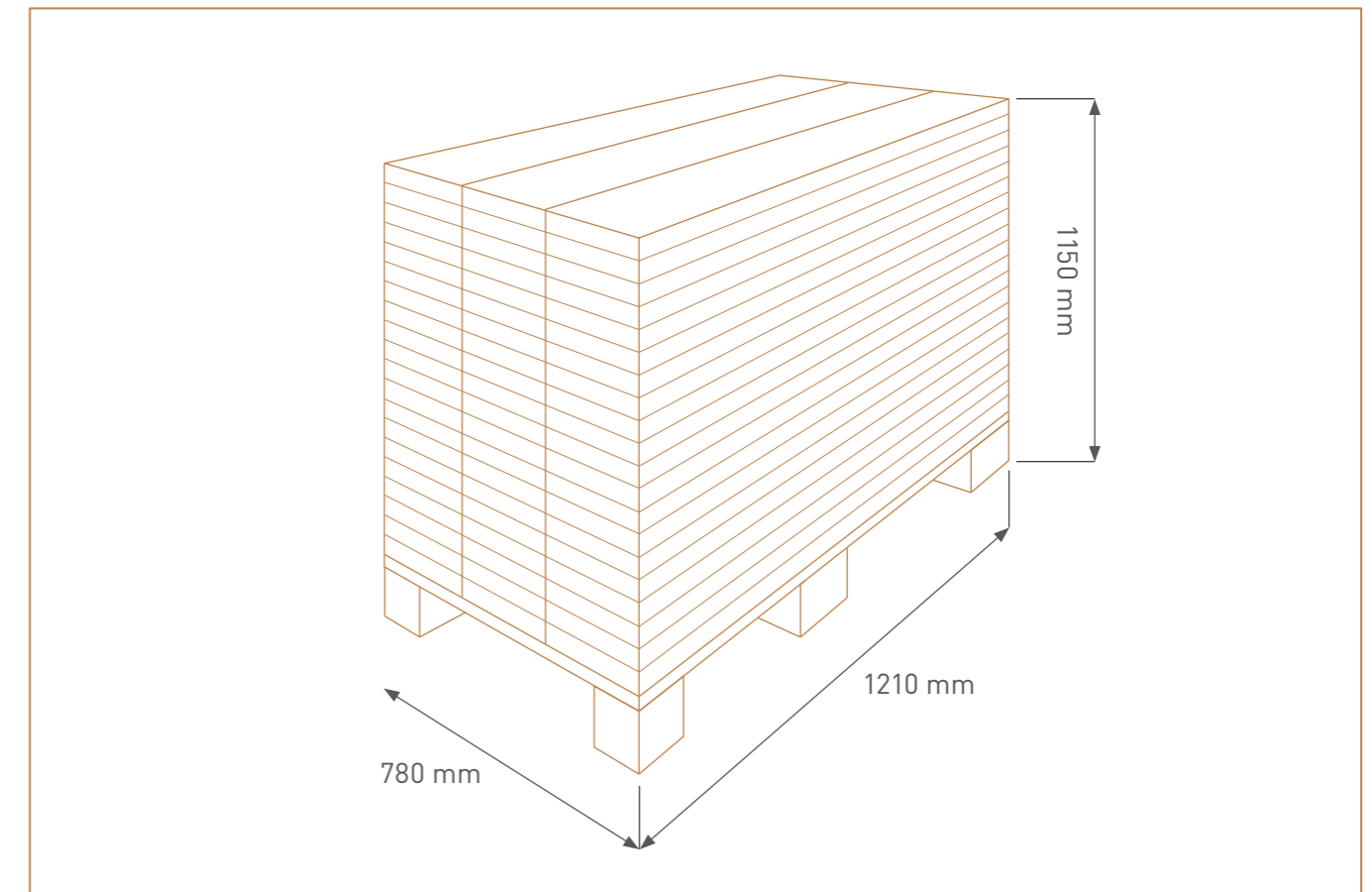
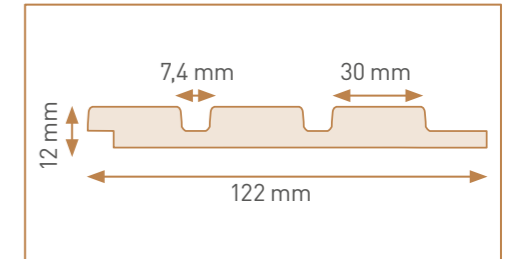


Technical Data Sheet

3D DECORATIVE PANEL	1200 X 122 X 12 mm
Directive RoHS 3 EU 2015/863	Approved
Heavy Metals Iec 62321	Approved
Environmentally Friendly	Approved
Easy To Install	Approved
Without Formaldehyde	Approved
Mold Proof	Approved
Scratch Resistant	Approved



3D DECORATIVE PANEL	1200 X 122 X 12 mm
PIECES / BOX	8
BOXES / PALLETS	51
M2 / BOX	1,17
kg/m2	4
KG / BOX	4,5
BOX MEASUREMENTS	1210 x 250 x 50
KG / PALLET	325
M2 / PALLET	59,73
PALLET / 20GP	26
M2 / 20GP	1552,98
KG / 20GP	8450
BOXES 20 GP	1326
PALLET MEASURES	1210 x 780 x 1150



SQM PRICE

BOUTIQUE
& CONTRACT
BY V-LINE



www.vlineinternational.com